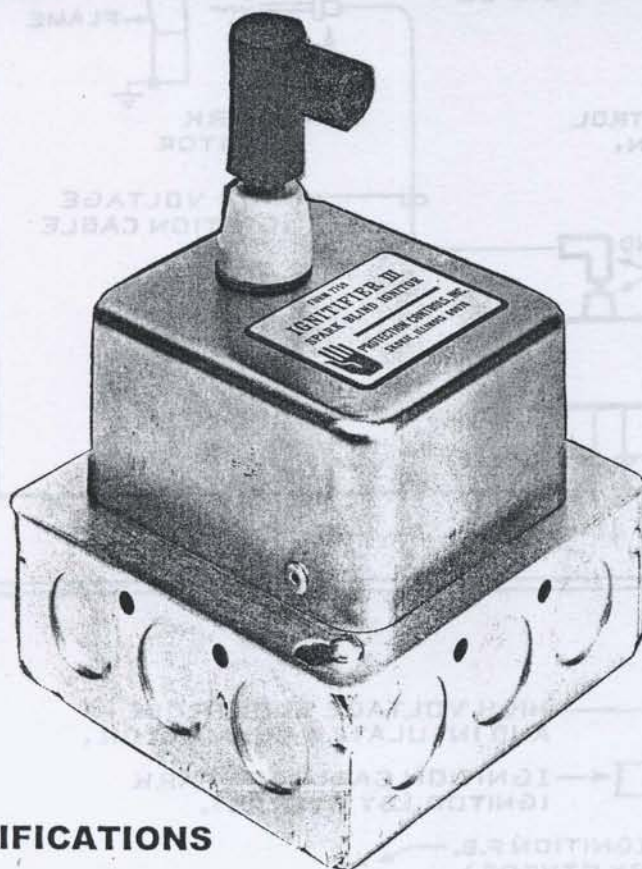


FORM 7759

IGNITIFIER III

SPARK BLIND IGNITOR

- Compact
- Instantaneous
- Dependable
- Solid State
- Low Power Requirement



SPECIFICATIONS

Maximum ambient temperature	125 F
Voltage/Frequency	117V AC - 50/60 Hz.
Power consumption	60VA
Open Circuit output	16.5 KV
Spark duration	1 Millisecond
Output	160 Millijoules per spark.
Spark gap	1/4" maximum

Form 7759 IGNITIFIER III Spark Blind Ignitor may be used with all models of Protectofier combustion safeguards, operating in conjunction with P-C II ultra-violet scanners to avoid false sensing indication resulting from ignition spark. The IGNITIFIER III is to be used as a source of electric spark only and is not intended for use as a safety device.

INSTALLATION INSTRUCTIONS

1. IGNITIFIER III is to be mounted on a standard 4 x 4 electrical junction box.
2. IGNITIFIER III enclosure and white L2 wire must be grounded.
3. Ignition cable length must not exceed 15 feet.
4. Correct polarity of L1 and L2 wires must be observed.
5. IGNITIFIER III may be mounted in any position.
6. Right angle insulated connector is for 7mm ignition cable.
7. Not recommended for direct firing of oil burners.
8. Ignition cable must not be included in same conduit with control or power wiring.
9. Ignition switch and power supply connections must be made in accordance with national and local electric codes as well as with the recommended safe practices of insurance and other applicable approval codes.



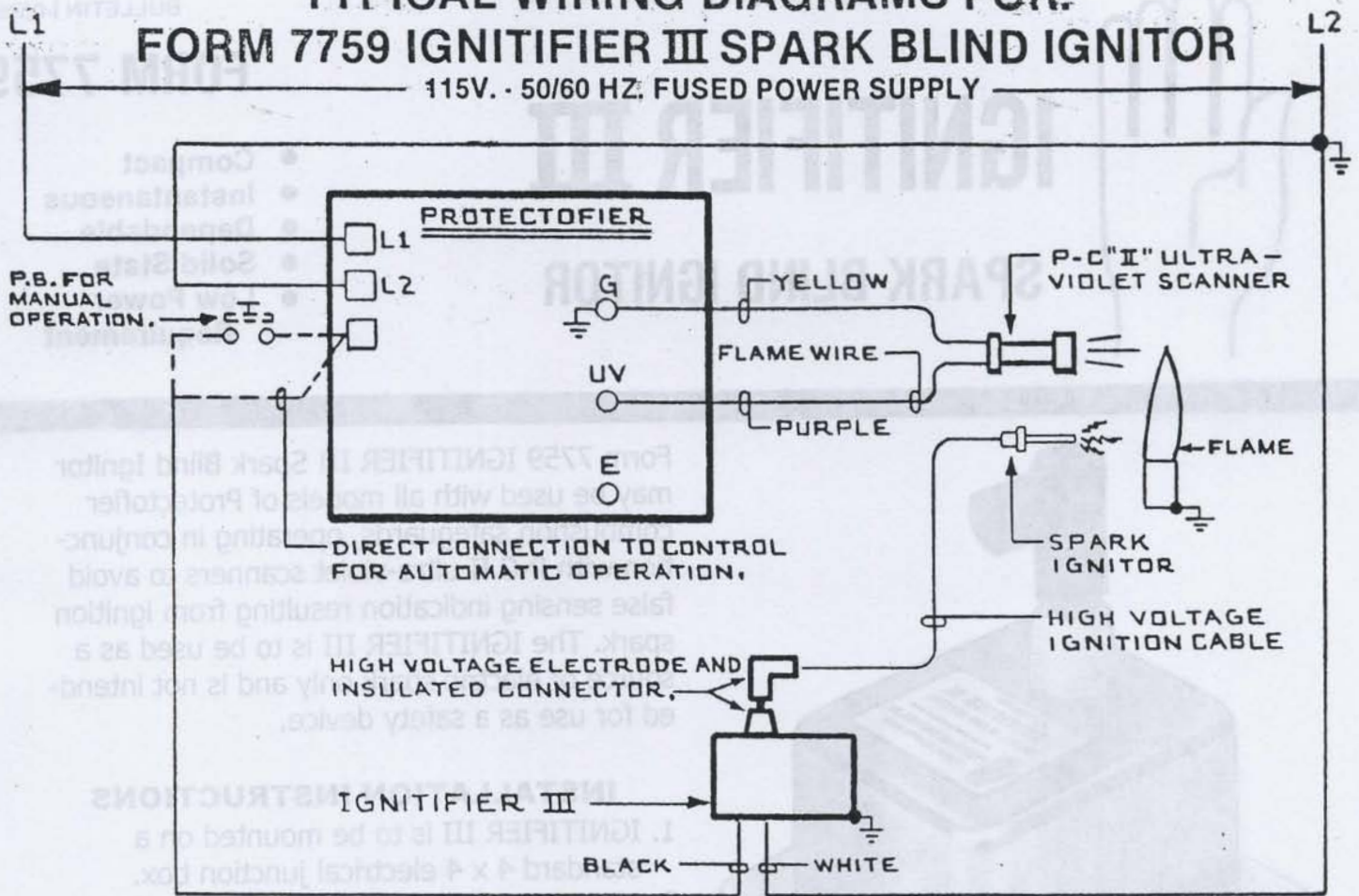
PROTECTION CONTROLS, INC.

ELECTRICAL SAFETY EQUIPMENT

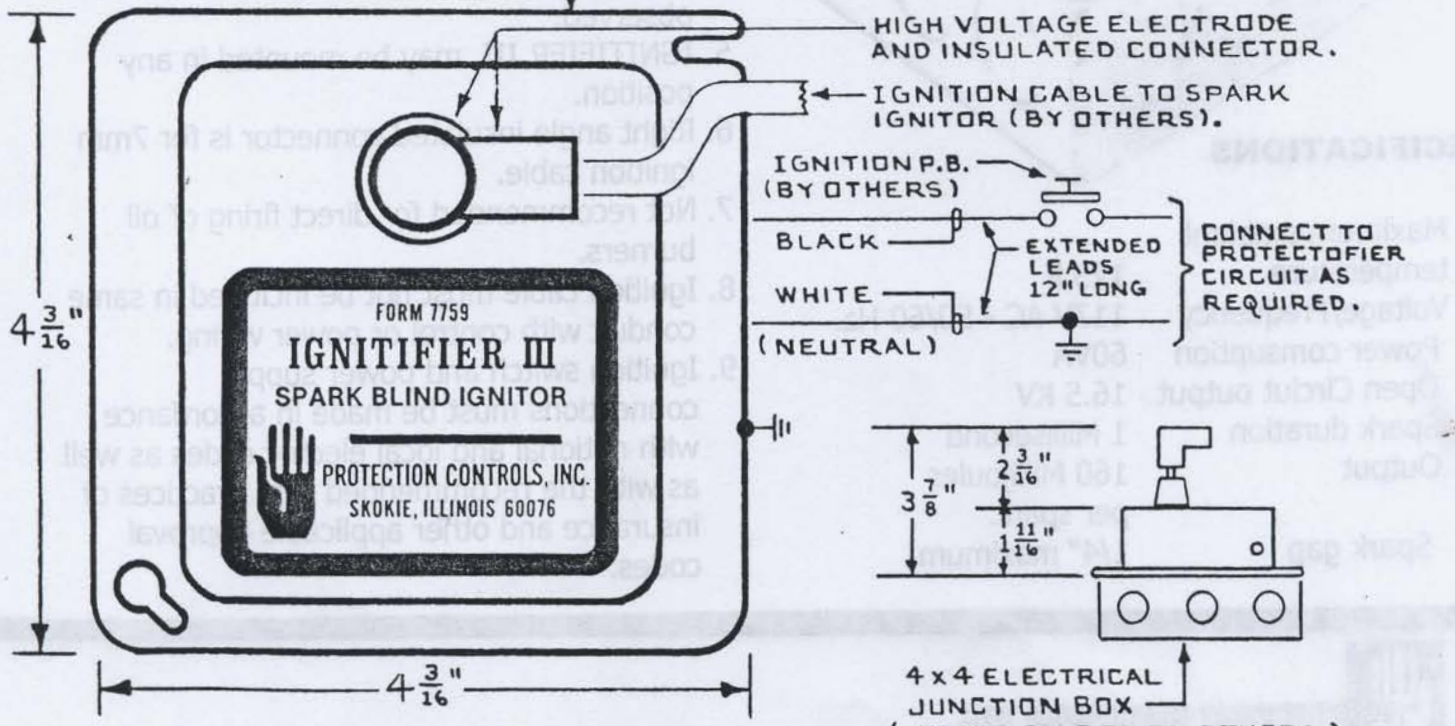
7317 N. LAWDALE AVENUE
 P.O. BOX 287 • SKOKIE, ILLINOIS 60076-0287
 (847) 674-7676 • CHICAGO PHONE: (773) 763-3110
 FAX: (847) 674-7009
 e-mail@protectioncontrolsinc.com
 www.protectioncontrolsinc.com

TYPICAL WIRING DIAGRAMS FOR: FORM 7759 IGNITIFIER III SPARK BLIND IGNITOR

115V. - 50/60 HZ. FUSED POWER SUPPLY



4 x 4 ELECTRICAL JUNCTION
BOX COVER PLATE.



NOTE:
INSTALLATION AND MAINTENANCE MUST
CONFORM WITH NATIONAL AND LOCAL
CODES AND AUTHORITIES HAVING JURISDICTION.