



# 24 VOLT POWER SUPPLY

## P/N 60-2685-2

## P/N 60-2685-4

### DIN RAIL MOUNTED

#### SPECIFICATIONS

	PART NUMBER 60-2685-2	PART NUMBER 60-2685-4
Power Rating	50W	100W
<b>INPUT</b>		
Input Voltage	100VAC to 240VAC	120VAC or 240VAC, selectable
Input Frequency	50/60 Hz	50/60HZ
<b>OUTPUT</b>		
Output Current (Note 1)	2.1A	4.2A
Output Voltage	24 VDC	24 VDC
Voltage Adjustment Range	-10% to +15%	+/- 10%
Ripple	2% (p-p) max.	2% (p-p) max.
Rise Time	100 ms max.	200 ms max.
Hold Time	20 ms max.	20 ms max.
<b>GENERAL</b>		
Indicator LEDs	Green: DC ON, Red DC low	Green: DC ON, Red DC low
DC Low Alarm Contact	No	Yes, 24VDC, 0.1A
Ambient Temperature ( Note 1)	0° to 50°C/ 32° to 122°F	0° to 50°C/ 32° to 122°F
Humidity	25% to 85%	25% to 85%
H1, Overall Height	3.2" (82mm)	3.2" (82mm)
W1, Overall Width ( Note 2)	3.5" (90mm)	5.7" (145mm)
D1, Overall Depth	3.6" (91mm)	3.6" (91mm)
H2, Mounting Hole Pattern Height	2.36" (60mm)	2.36" (60mm)
W2, Mounting Hole Pattern Width	3.15" (80mm)	5.31" (135mm)

**Notes:**

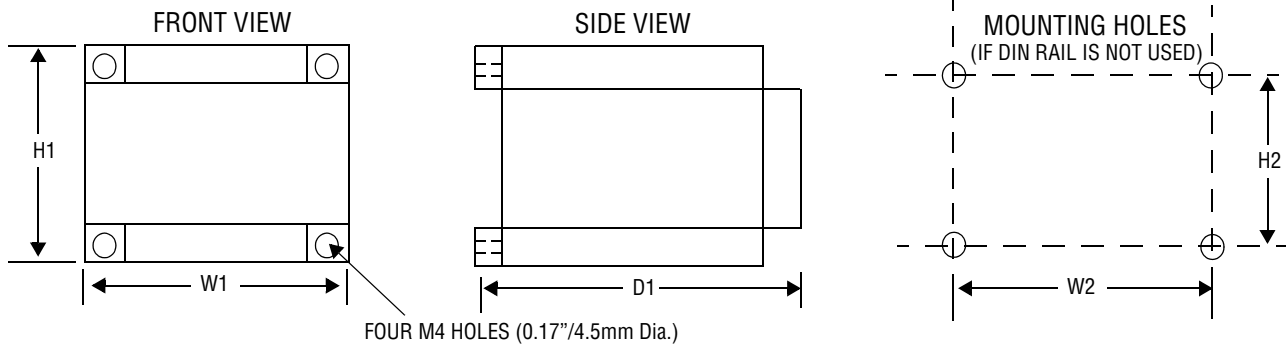
1. Rated output is when power supply is mounted vertically, and with an ambient temperature of 50°C (122°F) maximum. See derating curve for horizontal mount.
2. When mounted in a row, allow at least 0.79" (20 mm) between adjacent power supplies.



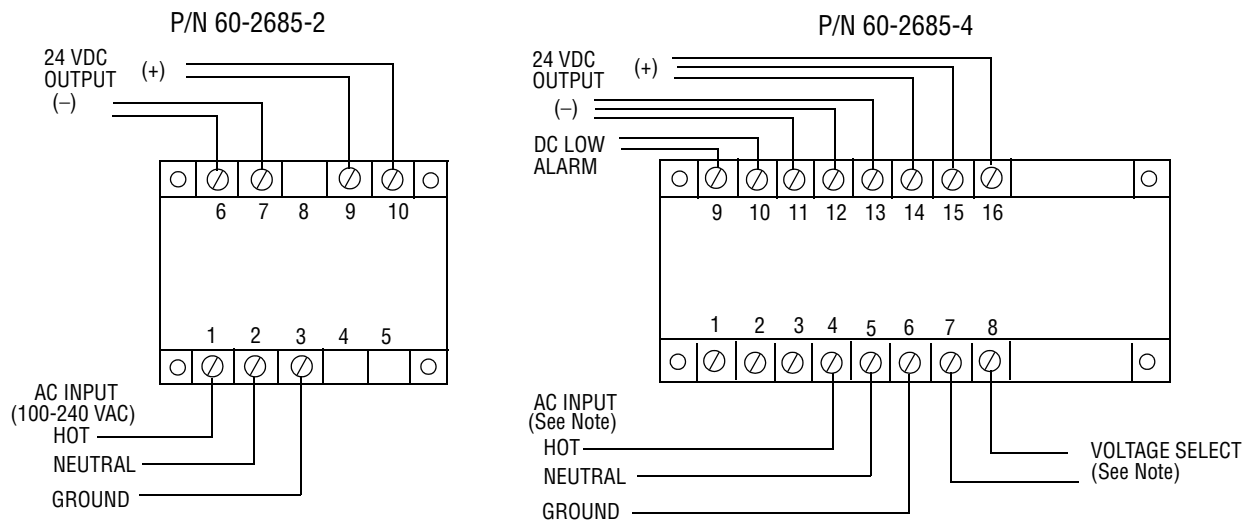
The content on or accessible through CombustionDepot.com, (including, but not limited to) text, graphics and other materials, are provided by CombustionDepot.com, for informational purposes only. CombustionDepot.com does not claim ownership to any of the photos, images, or pictures of products on the site. These depictions are solely for information purposes and may not be an exact replication of the related product available for sale. All PDF and specification pages are gathered from the OEM web sites or publicly available information. CombustionDepot.com does not claim responsibility for any of the information found on these bulletins, documents, literature, specification charts, etc. and such information is subject to change without notice.



## DIMENSIONS

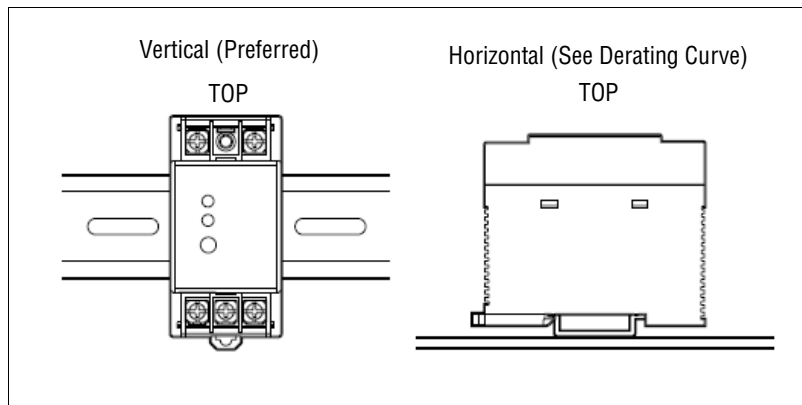


## ELECTRICAL WIRING

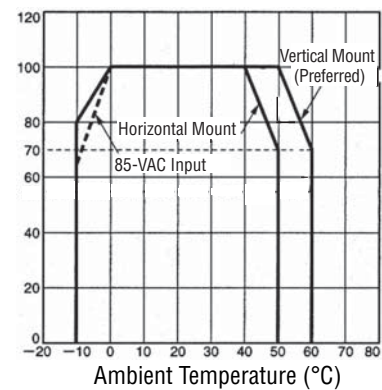


**NOTE:** For applied AC voltage of 100-120 VAC, jumper terminals 7 & 8 with shorting bar provided. For applied voltage of 200-240 VAC leave terminals 7 & 8 open.

## MOUNTING POSITION



## DERATING CURVE



FIREYE®  
3 Manchester Road  
Derry, New Hampshire 03038  
www.fireye.com

CU-100  
JULY 12, 2007  
Supersedes Sept. 5, 2005