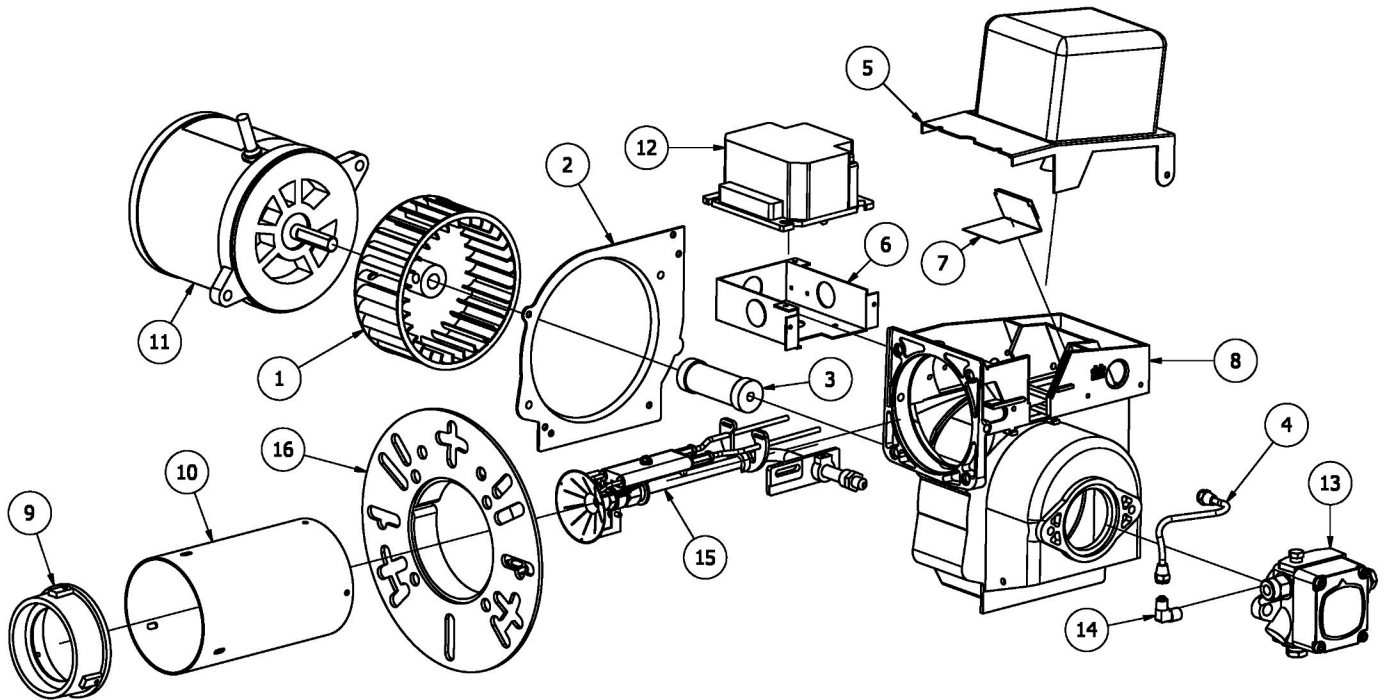


BURNER REPLACEMENT PARTS – MODEL HS



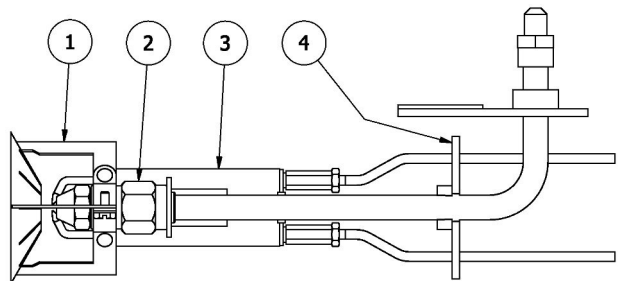
STATE SPECIFICATION NUMBER, BURNER MODEL, PART DESCRIPTION AND PART NUMBER WHEN ORDERING PARTS

No.	Description	Part No.	No.	Description	Part No.
1	Blower Wheel	21642		Air Tube 15"	21672-049
2	Motor Side Plate	21658		Air Tube 18"	21672-061
3	Coupling	100386	11	Motor, 1/7 HP, 120V/60Hz	20627
4	Oil Line Assembly 6"	14451	12	Oil Primary, 120V, 15 sec. lockout	101343-SER
5	Transformer Assembly	23101-HS	13	Fuel Pump Type A Suntec-1 Stage	13495
6	J-Box	21319		Fuel Pump Type B Suntec-2 Stage	13634
7	Baffle, Static-65°	63266-006	14	Elbow	13494
	Baffle, Static-30°	63266-013	15	Gun Assembly 6"	100926-013
8	Housing	100935-001		Gun Assembly 9"	100926-025
9	Air Cone 0.50 – 2.50 GPH	100420		Gun Assembly 12"	100931-037
	Air Cone 2.50 – 3.00 GPH	100531-001		Gun Assembly 15"	100931-049
10	Air Tube 6"	21672-013		Gun Assembly 18"	100931-061
	Air Tube 9"	21672-025	16	Adjustable Flange (Incl. Gasket)	21724-011
	Air Tube 12"	21672-037	17	Tune up Kit (Not Shown)	100950-001

GUN ASSEMBLY DETAILS – MODEL HS

No.	Description	Part No.
1	Flamelock Assembly 10 Vane	100393-SER
2	Nozzle Adapter	12362
3	Electrode Assembly – All Units*	100989-061
4	Buss Bar Support	13276-002

* Cut contact rods to length in field.



NOTICE Replacing any gun assembly components may necessitate re-calibrating of the Flamelock™ air cone (See page 6)

BLUE ANGEL™ REPLACEMENT AIR TUBE COMBINATIONS

Includes Air Tube, Air Cone and Gun Assembly

Air Tube Combination – 6".....30884-013C	Air Tube Combination – 15".....30884-049C
Air Tube Combination – 9".....30884-025C	Air Tube Combination – 18".....30884-061C
Air Tube Combination – 12".....30884-037C	

Phone: 260-425-9200 • Fax: 260-424-0904 or 1-800-345-0341