

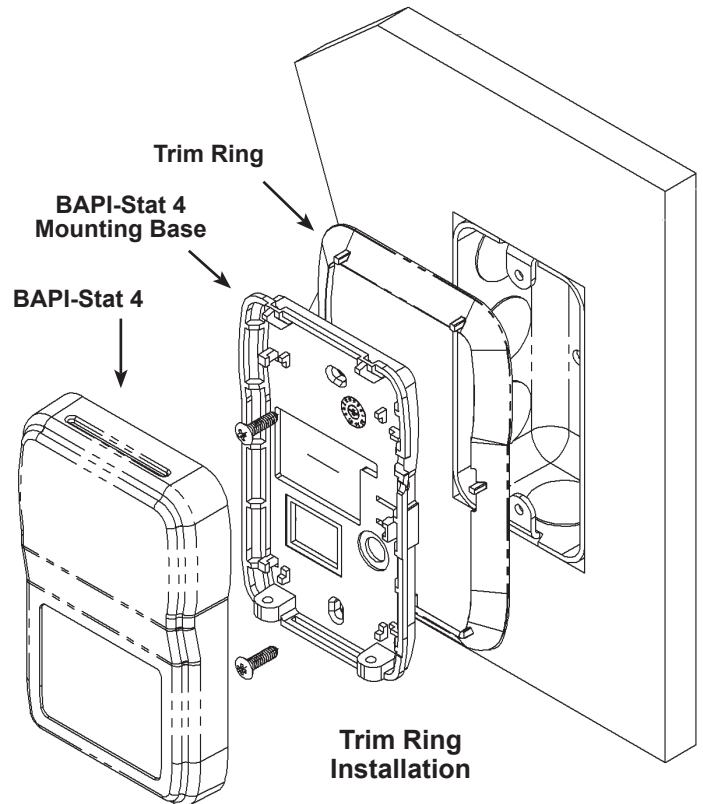
Overview and Installation

The BAPI-Stat 4 Trim Ring provides a professionally finished appearance for the BAPI-Stat 4 Room Enclosures. If you are using back boxes, the trim ring covers wall imperfections between the box and the wall.

To install, place the trim ring on the wall, nest the BAPI Stat 4 mounting base into the ring and attach to the wall with the BAPI-Stat 4 mounting screws. The BS4 trim ring adds only 0.07 inches (1.7 mm) to the depth of the BAPI Stat 4.

INSTALLATION INSTRUCTIONS

1. Thread connecting wires through the Trim Ring and mounting base and terminate to the sensor. (Each sensor type will have its own installation sheet with termination instructions.)
2. Nest the BAPI-Stat 4 Mounting Base into the Trim Ring.
3. Align the screw holes in the Mounting Base and box.
4. Use the BAPI-Stat 4 mounting screws to secure to the assembly.
5. Hook the top of the BAPI-Stat 4 cover onto the Mounting Base.
6. Swing the cover down and secure in place with the lockdown screws.

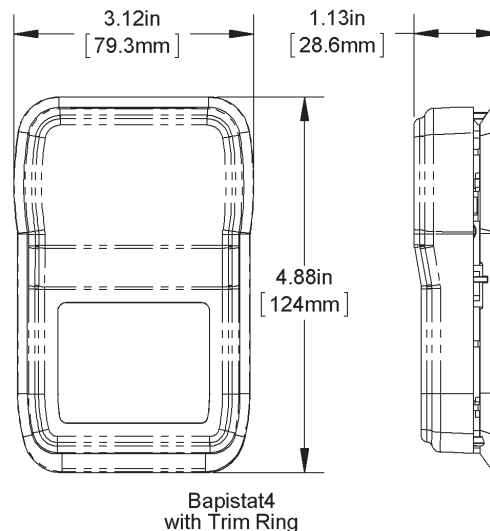
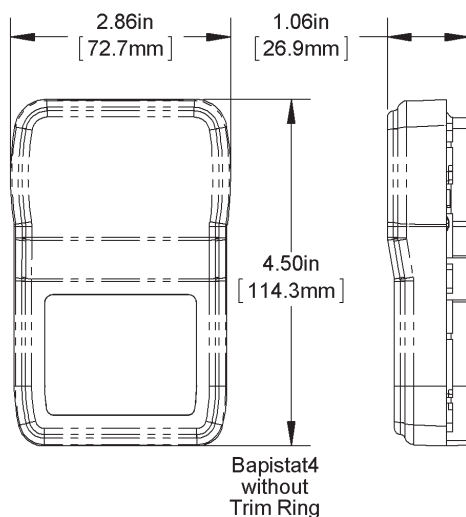


Specifications

Material: ABS plastic, Flame-retardant, UL 94, V-0

Temperature: 32 to 122°F (0 to 50°C)

Humidity: 0 to 95%, non-condensing



Specifications subject to change without notice.