

**L SERIES | PRE-CHARGED (ASME) EXPANSION TANK |**  
**SUBMITTAL**

**File No:** 37.52  
**Date:** APRIL 21, 2016  
**Supersedes:** 37.52  
**Date:** NOVEMBER 24, 2016

Job: \_\_\_\_\_ Representative: \_\_\_\_\_  
 \_\_\_\_\_ Order no.: \_\_\_\_\_ Date: \_\_\_\_\_  
 Engineer: \_\_\_\_\_ Submitted by: \_\_\_\_\_ Date: \_\_\_\_\_  
 Contractor: \_\_\_\_\_ Approved by: \_\_\_\_\_ Date: \_\_\_\_\_

**DATA**

Model no. ordered: \_\_\_\_\_ Qty: \_\_\_\_\_  
 Tag no.: \_\_\_\_\_ Charge pressure: \_\_\_\_\_ psi/kPa

Optional California sight-glass and seismic clips:  Yes  No

Standard factory charge is 12 psi (83 kPa) unless otherwise specified.

**NOTES**

- Not for Domestic Potable Water Systems.
- Designed and constructed per ASME, Section VIII, Division 1.
- California code sight-glass and seismic clips available as an option.
- Allow a minimum of 18" (457 mm) clearance for system piping.

**MATERIALS OF CONSTRUCTION**

**Shell:** Carbon steel  
**Bladder:** Heavy Duty Butyl

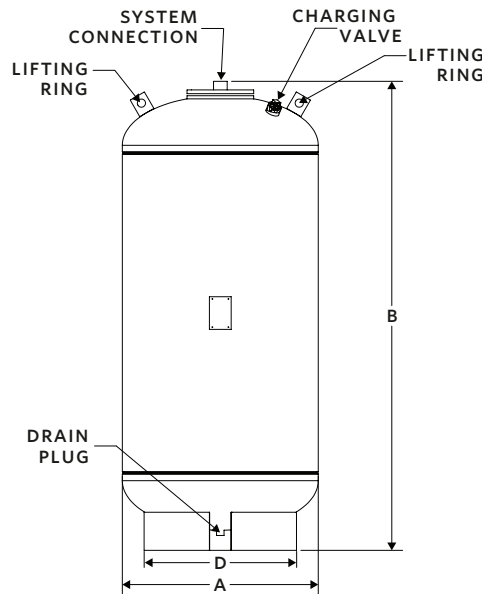
**OPERATING CONDITIONS**

**Temperature Range:** 40°F - 240°F (4.4°C - 115.5°C)  
**Maximum Pressure:** 125 psi (862 kPa)

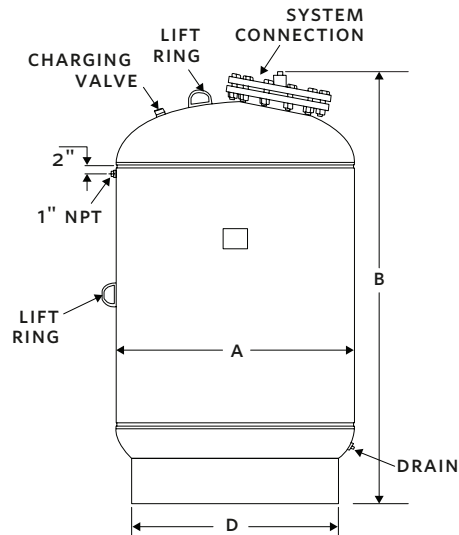
**TYPICAL SPECIFICATION**

Furnish and install, as shown on the plans, Armstrong Model \_\_\_\_\_-L ASME pre-charged bladder Expansion Tank, stamped for 125 psi (862 kPa) working pressure. Each tank will be supplied with a heavy duty butyl replaceable bladder. Tank shall be supplied with a ring base, lifting rings, and NPT system connection. An air charging valve connection (standard tire valve) shall be provided to facilitate adjusting pre-charge pressure to meet actual system conditions.

MODEL	TANK VOLUME	MAXIMUM ACCEPTANCE VOLUME	A	B	D	SYSTEM CONNECTION NPT	DRAIN PLUG	SHIPPING WEIGHT
	gal.(L)		inches (mm)			inches (mm)		lbs.(kg)
A200-L	53 (200)	53 (200)	24.00 (610)	38.40 (1475)	19.00 (483)	1.50 (38)	0.75 (19)	225 (102.1)
A300-L	80 (300)	80 (300)	24.00 (610)	52.27 (1328)	19.00 (483)	1.50 (38)	0.75 (19)	285 (129.3)
A400-L	106 (400)	106 (400)	24.00 (610)	66.14 (1680)	19.00 (483)	1.50 (38)	0.75 (19)	350 (158.8)
A500-L	132 (500)	132 (500)	24.00 (610)	80.14 (2036)	19.00 (483)	1.50 (38)	0.75 (19)	410 (186.0)
A600-L	158 (600)	158 (600)	30.00 (762)	64.75 (1645)	24.00 (610)	1.50 (38)	0.75 (19)	430 (195.0)
A800-L	211 (800)	211 (800)	30.00 (762)	82.44 (2094)	24.00 (610)	1.50 (38)	0.75 (19)	525 (238.1)
A1000-L	264 (1000)	264 (1000)	36.00 (914)	73.90 (1877)	28.00 (711)	1.50 (38)	0.75 (19)	565 (256.3)
A1200-L	317 (1200)	317 (1200)	36.00 (914)	86.00 (2184)	28.00 (711)	1.50 (38)	0.75 (19)	680 (308.4)
A1400-L	370 (1400)	370 (1400)	36.00 (914)	98.50 (2502)	28.00 (711)	1.50 (38)	0.75 (19)	750 (340.2)
1600-L	422 (1600)	422 (1600)	48.00 (1219)	74.00 (1880)	42.00 (1067)	1.50 (38)	0.75 (19)	1100 (498.9)
2000-L	528 (2000)	528 (2000)	48.00 (1219)	87.00 (2210)	42.00 (1067)	1.50 (38)	0.75 (19)	1280 (580.6)
2500-L	660 (2495)	660 (2495)	48.00 (1219)	102.00 (2591)	42.00 (1067)	2.00 (51)	0.75 (19)	1435 (652)
3000-L	792 (2994)	792 (2994)	48.00 (1219)	122.00 (3099)	42.00 (1067)	2.00 (51)	0.75 (19)	1550 (705)
4000-L	1056 (3992)	1056 (3992)	60.00 (1524)	102.00 (2591)	54.00 (1372)	2.00 (51)	0.75 (19)	2638 (1199)
5000-L	1320 (4997)	1320 (4997)	60.00 (1524)	125.00 (3175)	54.00 (1372)	2.00 (51)	0.75 (19)	3246 (1472)



MODELS A200-L TO A1400-L



MODELS 1600-L TO 5000-L

TORONTO  
+1 416 755 2291

BUFFALO  
+1 716 693 8813

BIRMINGHAM  
+44 (0) 8444 145 145

MANCHESTER  
+44 (0) 8444 145 145

BANGALORE  
+91 (0) 80 4906 3555

SHANGHAI  
+86 21 3756 6696

SÃO PAULO  
+55 11 4781 5500