

The ADKS is a replaceable core filter drier for use with CFC, HCFC, and HFC refrigerants in very large commercial air conditioning and refrigerant systems.

Features

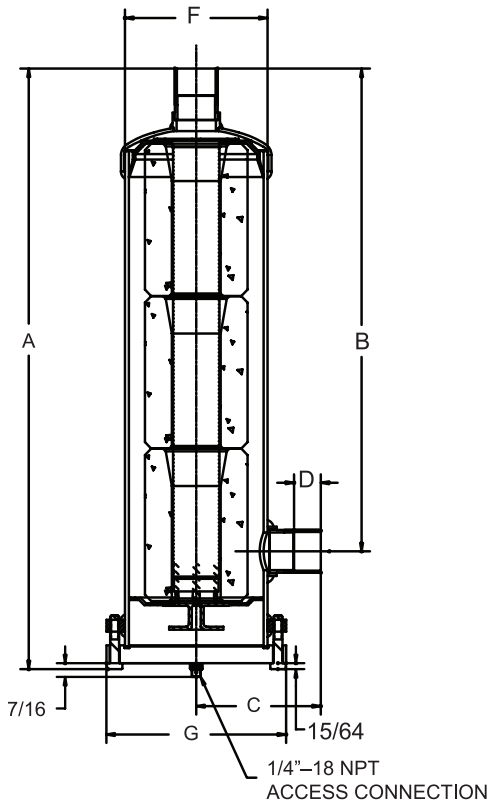
- Full flow fittings for low pressure drop
- Corrosion resistant epoxy powder paint finish
- Sturdy steel shells for long life durability



Nomenclature example: ADKS 30013T

ADKS	300	13	T
System Protector Series	Unit Size (in cu. in.)	Connection Size (in 1/8")	T = Tap Access Connection

Dimensional Data



Specifications

- Filtration (with core): 40 microns
- Maximum working pressure: 500 psig*
- UL/CUL file number: SA 3124
- Bolt Torque: 35 ft-lbs

*Note: Not suitable for R-410A applications above 500 psig.

Ordering Information

PCN	Description	Connection Size	Number Of 100 in ³ Cores	Dimensions (in)						Weight (lbs)
				A	B	C	D	F*	G	
026570	ADKS-30013T	1 5/8 ODF	3	25.27	20.32	5.24	1.13	6.00	7.56	39.00
037978	ADKS-30017T	2 1/8 ODF		25.41	20.45	5.43	1.66			
032105	ADKS-40017T	2 1/8 ODF	4	31.91	26.95	5.43	1.66			
037570	ADKS-40021T	2 5/8 ODF		32.81	27.86	6.19	1.47			46.00

* Does not include weld bead

¹ "H" Dimension is the clearance required to change the internal hardware assembly

T = 1/4" FPT access connection

ADKS Models are shipped without filter cores or filter drier cores. See filter or filter drier cores for availability. Uses 100 cubic inch cores.

Capacity Tables (in Tons)

Liquid Line for Replaceable Block Type ADKS Filter Driers

Description	Connection	Flow Capacity In Tons @ 1 psi ΔP ^{1, 2}					
		R-12	R-134a/R-450A/ R-513A	R-22/R-410A /R-448A/ R-449A	R-407C	R-404/507	R-502
ADKS 30013T	1 5/8 ODF	83	102	110	108	73	49
ADKS 30017T	2 1/8 ODF	121	148	160	157	107	59
ADKS 40017T	2 1/8 ODF	128	157	170	167	114	63
ADKS 40021T	2 5/8 ODF	136	166	180	177	120	71

¹ All ratings in accordance with ARI Standard 710-04. 86°F liquid refrigerant temperature
 5°F saturated vapor temperature
 3.1 lbs./min./ton for R-134a
 2.9 lbs./min./ton for R-22 and R-407C
 4.0 lbs./min./ton for R-404A/507 and R-12
² For 2 PSI ΔP . Multiply values by 1.4

Replacement Parts

Flange Cover	Description	PCN
ADKS-300, ADKS-400	X12176-2	027467
Shell	Strainer	Assembly
ADKS-300	X10574-5	039967
ADKS-400	X10574-6	038315
Miscellaneous Parts		
Gasket Set (Includes cover gasket)	X-11983-2	027454

Exploded View

