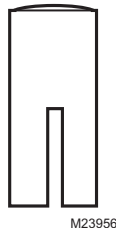


SZ Series Manifolds Multiple Zone Valve Telestat Replacement with PowerTrack™ Operators

INSTALLATION INSTRUCTIONS

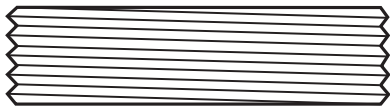
GENERAL

The two parts shown below are needed when installing a PowerTrack™ operator on SZ series multiple zone valve manifold where presently a 261 B Telestat operator is used. These parts are not needed when the operator is used as a replacement on MZV Series operators on SZseries manifolds which are equipped with MZV Series PowerTrack operators or previously converted SZ Series manifolds with Telestats 261D models.



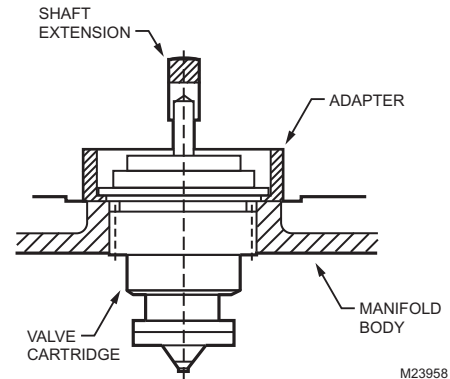
M23956

Fig. 1. Shaft Extension



M23957

Fig. 2. Adapter



M23958

Fig. 3. Installation

INSTALLATION

To install the MZV Series PowerTrack operators, proceed as follows:

1. Disconnect power.
2. Drain SZ Series manifold body.
3. Remove Telestat operator (unscrew silver colored nut until Telestat separates).
4. Remove valve cartridge using a 0.75 in. socket wrench.
5. Discard silver colored nut and spacer (the part with the 4 holes in the side wall).
6. Reinstall valve cartridge using the adapter in place of the spacer and install the extension on top of valve shaft.
7. Install PowerTrack operator. Refer to SD/IS-525 Instruction Sheet, section "Replacement of PowerTrack Operator".
8. Connect wires to terminal board inside control box. Connect yellow wires to 1 and 2, the red wires to 3 and 4.

Automation and Control Solutions

Honeywell International Inc.
1985 Douglas Drive North
Golden Valley, MN 55422
customer.honeywell.com

Honeywell Limited-Honeywell Limitée
35 Dynamic Drive
Toronto, Ontario M1V 4Z9

