

BALDOR® • ***RELIANCE***

Product Information Packet

CEM3158T

3HP,3450RPM,3PH,60HZ,145TC,3530M,OPSB,F1

Part Detail							
Revision:	J	Status:	PRD/A	Change #:		Proprietary:	No
Type:	AC	Elec. Spec:	35WGP988	CD Diagram:	CD0005	Mfg Plant:	
Mech. Spec:	35TT865	Layout:	35LYTT865	Poles:	02	Created Date:	08-03-2010
Base:	RG	Eff. Date:	05-04-2017	Leads:	9#18		

Specs			
Enclosure:	OPSB	Insulation Class:	F
Frame:	145TC	Inverter Code:	Inverter Ready
Frame Material:	Steel	KVA Code:	K
Output @ Frequency:	3.000 HP @ 60 HZ	Lifting Lugs:	No Lifting Lugs
Synchronous Speed @ Frequency:	3600 RPM @ 60 HZ	Locked Bearing Indicator:	Locked Bearing
Voltage @ Frequency:	460.0 V @ 60 HZ	Motor Lead Quantity/Wire Size:	9 @ 18 AWG
	230.0 V @ 60 HZ	Motor Lead Exit:	Ko Box
XP Class and Group:	None	Motor Lead Termination:	Flying Leads
XP Division:	Not Applicable	Motor Type:	3530M
Agency Approvals:	CSA	Mounting Arrangement:	F1
	CSA EEV	Power Factor:	87
	UR	Product Family:	General Purpose
Auxillary Box:	No Auxillary Box	Pulley End Bearing Type:	Ball
Auxillary Box Lead Termination:	None	Pulley Face Code:	C-Face
Base Indicator:	Rigid	Pulley Shaft Indicator:	Standard
Bearing Grease Type:	Polyrex EM (-20F +300F)	Rodent Screen:	None
Blower:	None	RoHS Status:	ROHS COMPLIANT
Current @ Voltage:	3.800 A @ 460.0 V	Shaft Extension Location:	Pulley End

	7.600 A @ 230.0 V	Shaft Ground Indicator:	No Shaft Grounding
	8.000 A @ 208.0 V	Shaft Rotation:	Reversible
Design Code:	B	Shaft Slinger Indicator:	No Slinger
Drip Cover:	No Drip Cover	Speed Code:	Single Speed
Duty Rating:	CONT	Motor Standards:	NEMA
Electrically Isolated Bearing:	Not Electrically Isolated	Starting Method:	Direct on line
Feedback Device:	No Feedback	Thermal Device - Bearing:	None
Front Face Code:	Standard	Thermal Device - Winding:	None
Front Shaft Indicator:	None	Vibration Sensor Indicator:	No Vibration Sensor
Heater Indicator:	No Heater	Winding Thermal 1:	None
		Winding Thermal 2:	None

Nameplate NP3553L										
CAT.NO.	CEM3158T									
SPEC.	35TT865P988G1									
HP	3									
VOLTS	230/460									
AMP	7.6/3.8									
RPM	3450									
FRAME	145TC				HZ	60			PH	3
SER.F.	1.15		CODE	K	DES	B		CL	F	
NEMA-NOM-EFF	85.5		PF	87						
RATING	40C AMB-CONT									
CC	010A				USABLE AT 208V					8
DE	6205				ODE	6203				
ENCL	OPSB		SN							
VPWM INVERTER READY										
CT30-60(2:1) VT3-60(20:1)										

Parts List		
Part Number	Description	Quantity
SA201168	SA 35TT865P988G1	1.000 EA
RA188472	RA 35TT865P988G1	1.000 EA
NS2512A01	INSULATOR, CONDUIT BOX X	1.000 EA
35CB3009	35 CB W/1.09 DIA. LEAD HOLE @ 6:	1.000 EA
51XB1016A07	10-16 X 7/16 HXWSSLD SERTYB	2.000 EA
11XW1032G06	10-32 X .38, TAPTITE II, HEX WSHR SLTD U	1.000 EA
35EP3201A01	STD FR ENDPLATE-OPEN-203 BRG W/GREASER	1.000 EA
HW4500A01	1641B(ALEMITE)400 UNIV, GREASE FITT	1.000 EA
HW5100A03	WAVY WASHER (W1543-017)	1.000 EA
35EP3400A14	SPL FACE MTD END PLATE - OPEN-143-5TC-05	1.000 EA
HW4500A01	1641B(ALEMITE)400 UNIV, GREASE FITT	1.000 EA
51XN1032A20	10-32 X 1 1/4 HX WS SL SR	2.000 EA
35CB4521	35 LIPPED CB LID (GALV & PHOSPH)	1.000 EA
51XW0832A07	8-32 X .44, TAPTITE II, HEX WSHR SLTD SE	4.000 EA
HW2501D13	KEY, 3/16 SQ X 1.375	1.000 EA
HA7000A01	KEY RETAINER 7/8" DIA SHAFT	1.000 EA
10XF0440S02	04-40 X 1/8 TYPE F HEX HD STAINLESS STIC	2.000 EA
MJ1000A02	GREASE, POLYREX EM EXXON (USe 4824-15A)	0.050 LB
MG1000Y03	MUNSELL 2.53Y 6.70/ 4.60, GLOSS 20,	0.017 GA
35AD2005A01	BAFFLE PLATE,MOD 35-SLTD BAND MTRS GL.F.	2.000 EA
HA3100A18	THRUBOLT 10-32 X 9.250	4.000 EA
LC0005E01	CONN.DIA./WARNING LABEL (LC0005/LB1119N)	1.000 EA
MN416A01	TAG-INSTAL-MAINT no wire (1100/bx) 11/14	1.000 EA
NP3553L	ALUM SUPER-E VPWM INVERTER READY UL	1.000 EA

Parts List (continued)		
Part Number	Description	Quantity
36PA1000	PKG GRP, PRINT PK1016A06	1.000 EA

AC Induction Motor Performance Data

Record # 59451 - Typical performance - not guaranteed values

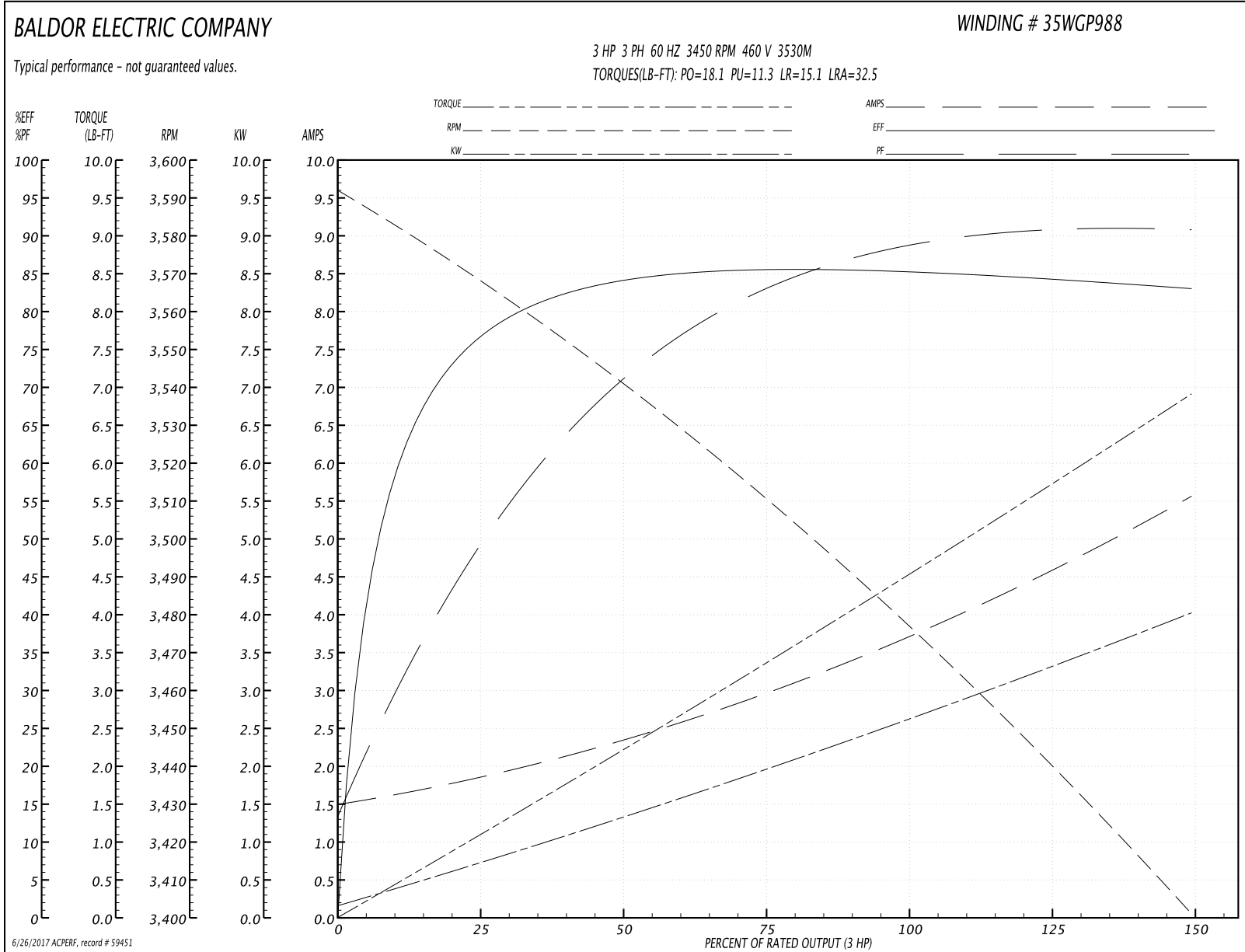
Winding: 35WGP988-R004	Type: 3530M	Enclosure: OPSB
-------------------------------	--------------------	------------------------

Nameplate Data				460 V, 60 Hz: High Voltage Connection	
Rated Output (HP)	3			Full Load Torque	4.5 LB-FT
Volts	230/460			Start Configuration	direct on line
Full Load Amps	7.6/3.8			Breakdown Torque	18.1 LB-FT
R.P.M.	3450			Pull-up Torque	11.3 LB-FT
Hz	60	Phase	3	Locked-rotor Torque	15.1 LB-FT
NEMA Design Code	B	KVA Code	K	Starting Current	32.5 A
Service Factor (S.F.)	1.15			No-load Current	1.55 A
NEMA Nom. Eff.	85.5	Power Factor	87	Line-line Res. @ 25°C	5.8893 Ω
Rating - Duty	40C AMB-CONT			Temp. Rise @ Rated Load	33°C
S.F. Amps				Temp. Rise @ S.F. Load	40°C
				Locked-rotor Power Factor	57.8
				Rotor inertia	0.0822 LB-FT ²

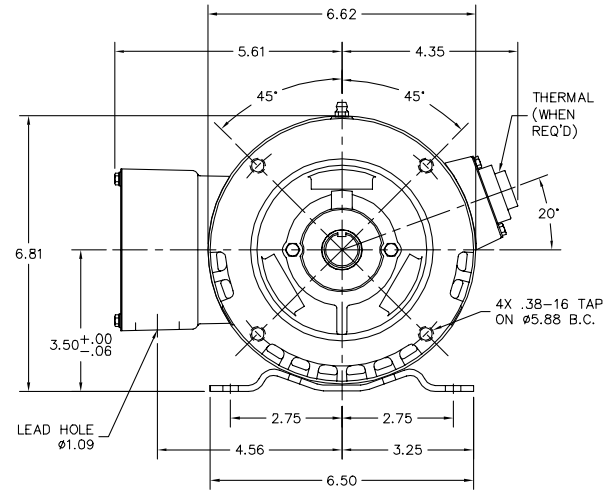
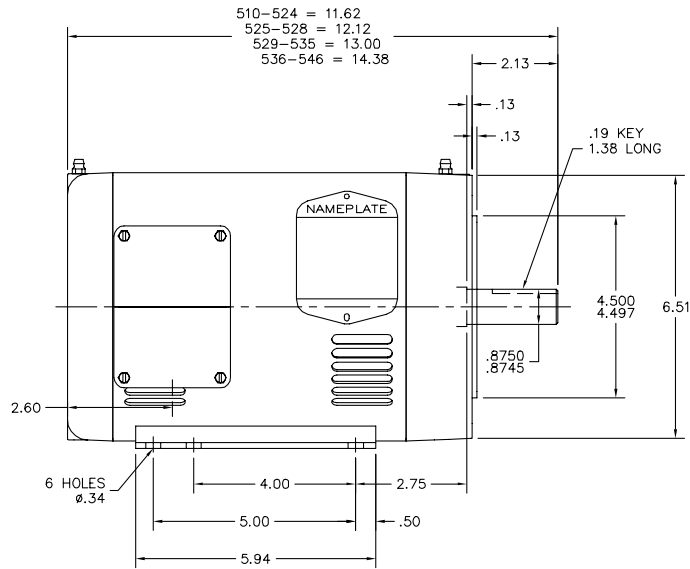
Load Characteristics 460 V, 60 Hz, 3 HP

% of Rated Load	25	50	75	100	125	150	S.F.
Power Factor	50	72	82	87	90	91	89
Efficiency	76.1	84.3	86	85.8	84.7	83	85.1
Speed	3569.1	3541.6	3510.6	3478.3	3442.7	3400.2	3457
Line amperes	1.77	2.29	2.97	3.73	4.58	5.53	4.24

Performance Graph at 460V, 60Hz, 3.0HP Typical performance - Not guaranteed values



35LYTT865



35LYTT865

CUSTOMER IS RESPONSIBLE FOR DETERMINING THAT BALDOR'S PRODUCT WILL PERFORM SUITABLY IN THE INTENDED APPLICATION.

REV. DESC: NEW	VERSION: 00	TDR: 000000551425
REV. LTR: -	REvised: 04:32:53 08/03/2010	BY: ENGAMGO
FILE: \AAA\00173\945		
MTL: -		

BALDOR

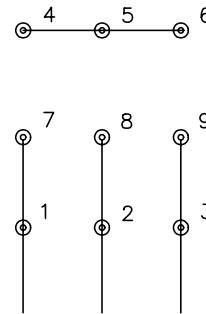
HORZ 143-5TC OPSB 35M W/1.09 LEAD HOLE & 2 POLE "W" BASE

SH 1 of 1

CD0005



LOW VOLTAGE
(2Y)



LINE

HIGH VOLTAGE
(1Y)



LINE

NOTES:

1. INTERCHANGE ANY TWO LINE LEADS TO REVERSE ROTATION.
2. OPTIONAL THERMOSTATS ARE PROVIDED WHEN SPECIFIED.
3. ACTUAL NUMBER OF INTERNAL PARALLEL CIRCUITS MAY BE A MULTIPLE OF THOSE SHOWN ABOVE.
4. LEAD COLORS ARE OPTIONAL. LEADS MUST ALWAYS BE NUMBERED AS SHOWN.

REV. DESC: REVISE TO SHOW OPTIONAL COLORS			
REV. LTR: E	BY: JLP	REVISED: 01/19/99 10:15	TDR: 0171435
90000		FILE: AAA00005140	MDL: -
		MTL: -	

BALDOR ELECTRIC Co.

3PH, DV, 9 LEADS

CD0005